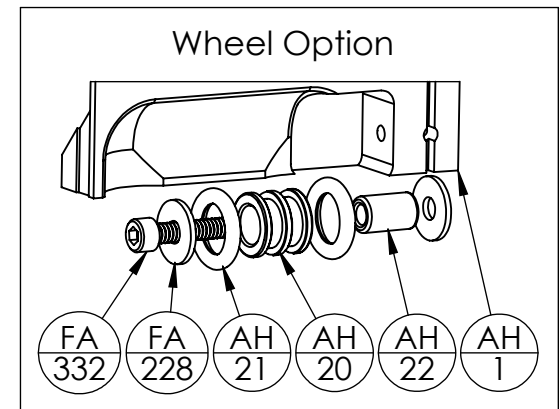
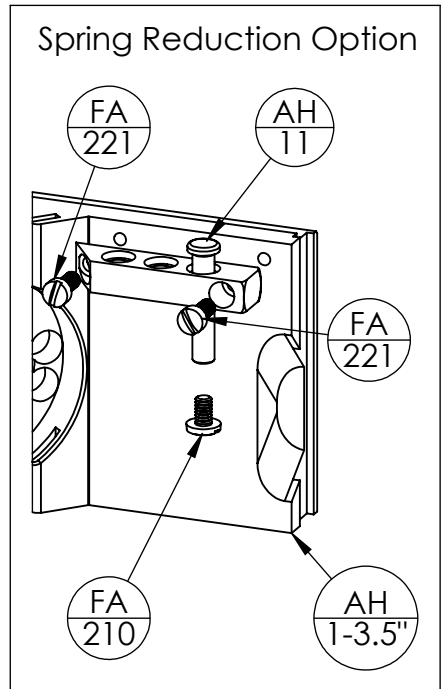
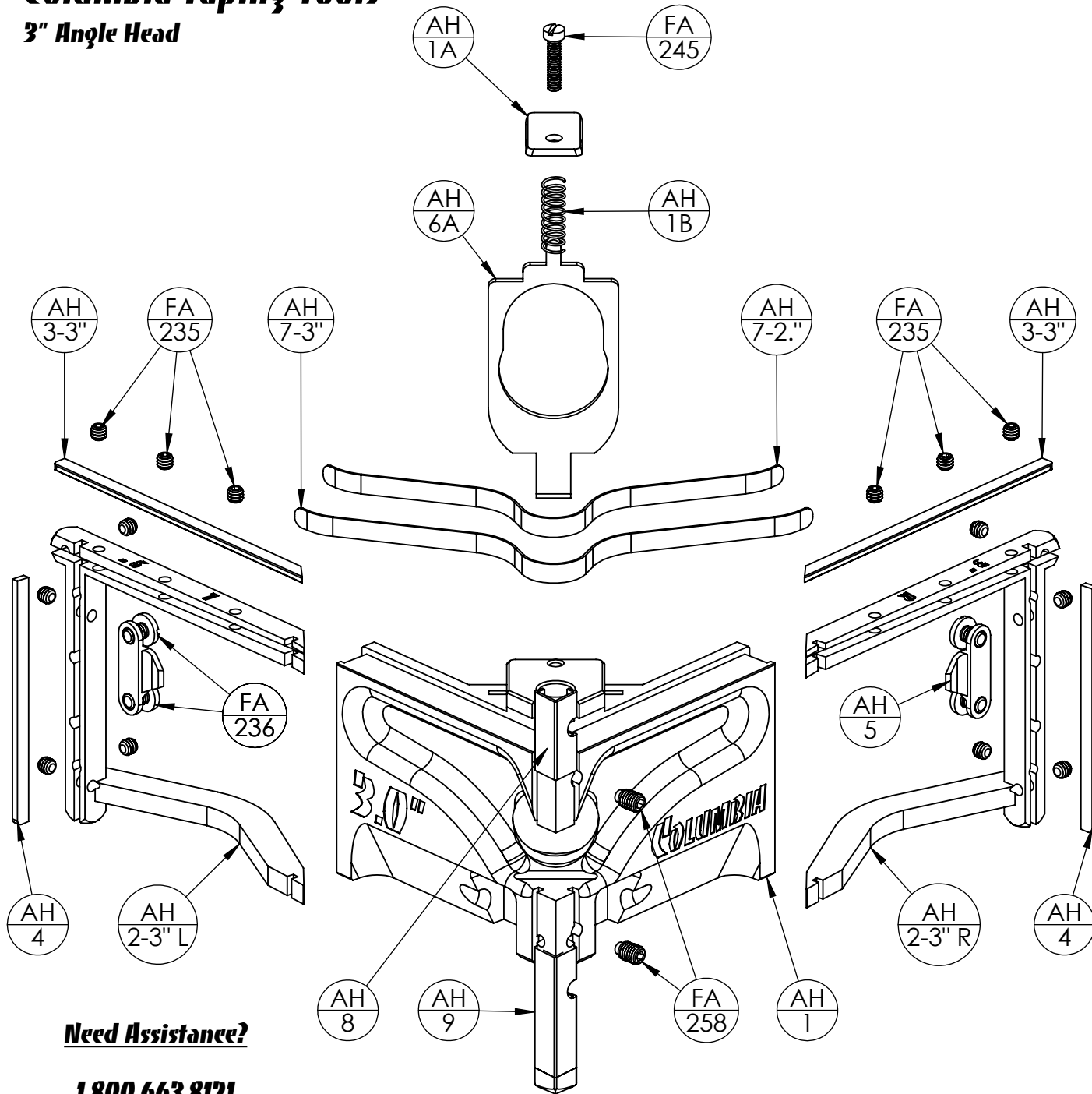


# Columbia Taping Tools

## 3" Angle Head



**Need Assistance?**

**1.800.663.8121**

**[www.columbiatools.com](http://www.columbiatools.com)**

**February 2015**